

**Features**

- Solid brass construction
- ADA compliant traditional lever handles
- 4-3/8" (11.1 cm) spout height at outlet
- 9-9/32" (23.6 cm) spout reach (c-c)
- 1.8 gallons (6.7 liters) per minute handshower maximum flow rate
- Intended for use with Newport Brass rough valve kit (Required Accessory) which incorporates the following:
  - Brass valve bodies and quick-connect spout fitting
  - Quarter-turn washerless ceramic disc 3/4" valve cartridges
  - Diverter valve and hoses as needed for handshower

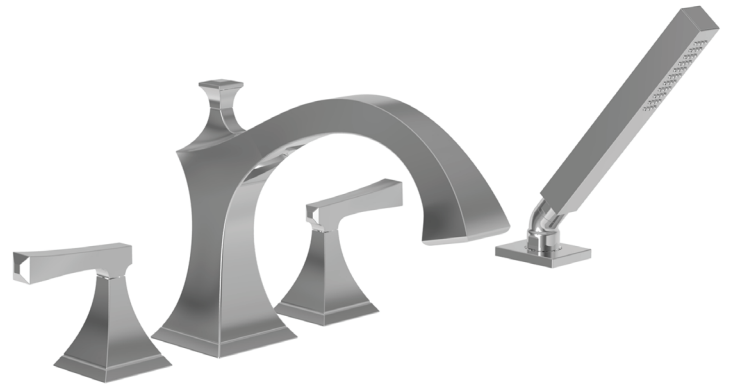
**Roman Tub with Handshower Deck Trim**

**3-2577**



**Codes / Standards Compliance**

- Meets or exceeds the following at date of manufacture:
- ASME A112.18.1/CSA B125.1
  - IAPMO/cUPC
  - IPC
  - ADA
  - ICC/ANSI A117.1
  - EPA Watersense
  - California Energy Commission (CEC)
  - All applicable US Federal and State material regulations



**Colors / Finishes**

- 10B: Oil Rubbed Bronze
- 15: Polished Nickel
- 15S: Satin Nickel - PVD
- 26: Polished Chrome
- Other: Refer to the Newport Brass catalog for additional color/finish options.

**Specified Model**

Model	Description	Colors   Finishes
3-2577	Roman Tub with Handshower Deck Trim	<input type="checkbox"/> 10B <input type="checkbox"/> 15 <input type="checkbox"/> 15S <input type="checkbox"/> 26 <input type="checkbox"/> Other

**Required Accessory:** Trim, above, and Rough Valve Kit, below, must both be specified

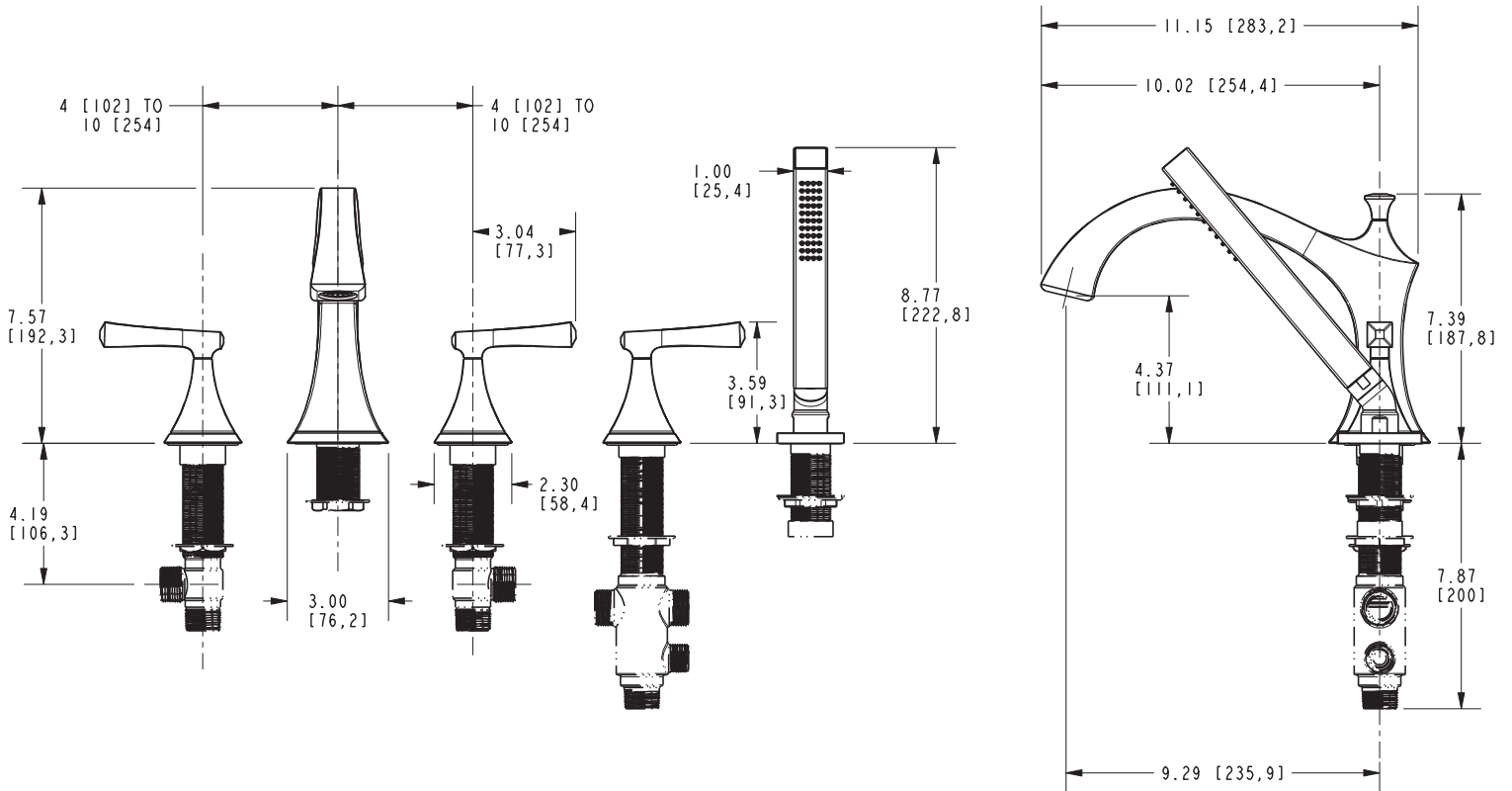
Application	Deck Tub Valve
Description	3-Valve Assembly With Quick Connect Spout Adapter
Inlet/Outlet	3/4"
Part Number	1-666
Image	

**Product Specification:** Add "Color / Finish" suffix to Model number, below.

The Roman Tub with Handshower Deck Trim shall be made of solid brass construction. Roman Tub with Handshower Deck Trim shall incorporate ADA compliant traditional lever handles. Product shall incorporate a 4-3/8" (11.1 cm) spout height at outlet and a 9-9/32" (23.6 cm) spout reach (c-c). Product shall feature a solid brass handshower with a 1.8 gallons (6.7 liters) per minute maximum flow rate. Rough valve kit shall incorporate brass valve bodies with quarter-turn washerless ceramic disc 3/4" valve cartridges, a quick-connect spout fitting and a diverter valve with hoses as needed for handshower. Roman Tub with Handshower Deck Trim shall be Newport Brass Model 3-2577/\_\_\_\_\_ and Newport Brass rough valve kit shall be 1-666.

# 3-2577

## PRODUCT DIMENSIONS *(Units are in inches)*



### Joffery Roman Tub with Handshower Deck Trim 3-2577